



# EXTRANCE NEURAL™

## Unleashing the Power of AI for Anomaly Detection and Predictive Analytics

EXTRANCE NEURAL™ leverages cutting-edge neural networks and machine learning to revolutionize anomaly detection and predictive analytics within the investment world. This solution empowers your team to proactively identify potential issues, uncover strategic opportunities, and make data-driven decisions that drive superior returns.

### Key Features

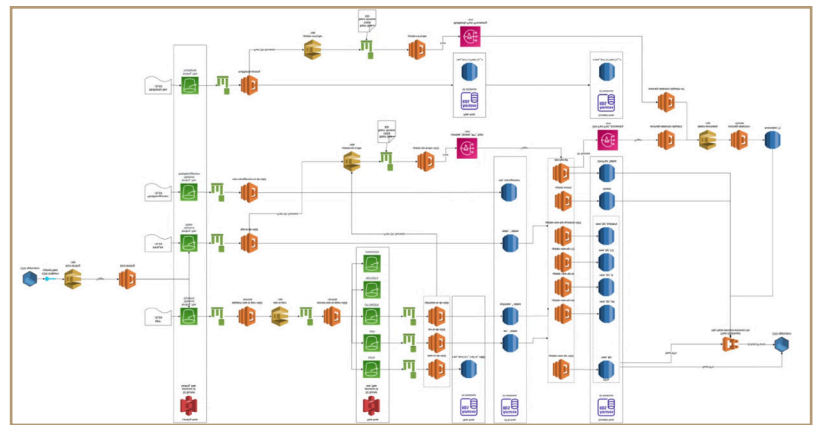
**Advanced Neural Networks:** Sophisticated neural networks analyze vast amounts of data to identify anomalies and patterns that may escape traditional methods.

**Real-Time Anomaly Detection:** Be alerted to potential issues in real-time, allowing for swift intervention and risk mitigation. This could include anything from unexpected fluctuations in financial data to deviations in KPI trends.

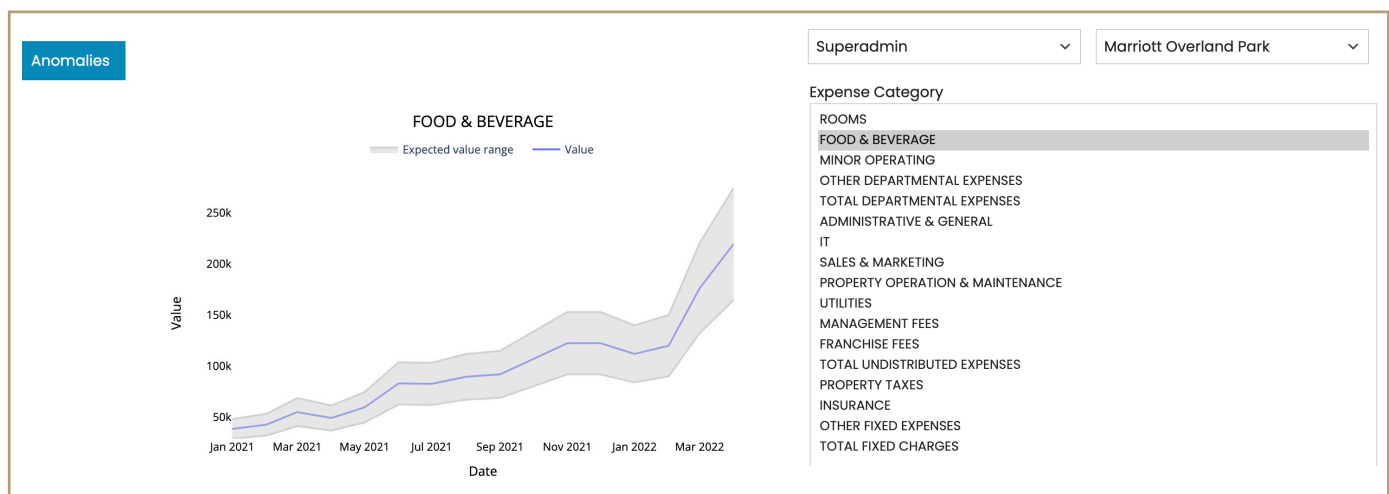
**Predictive Analytics:** Gain a glimpse into the future. EXtrance Neural helps you anticipate potential market shifts, identify promising investment opportunities, and make proactive decisions before the competition.

**Accounting Error Detection:** Identify inconsistencies and potential errors within your accounting data, ensuring the accuracy and reliability of your financial information.

**Strategic Insights:** Go beyond anomaly detection. EXtrance Neural uncovers hidden patterns and relationships within your data, providing valuable insights to inform strategic decision-making.



'Drag & Drop' any fund, asset, or investment level document in any format for real-time KPIs -- analyze millions of data points



Anomaly detection throughout the system ensuring the highest data integrity

## Benefits

**Proactive Risk Management:** Identify and address potential risks before they impact your portfolio performance.

**Early Identification of Opportunities:** Gain a competitive advantage by uncovering promising investment opportunities before the market reacts.

**Enhanced Data Accuracy:** Ensure the integrity of your financial data by detecting and addressing accounting errors.

**Data-Driven Decision Making:** Move beyond intuition and leverage AI-powered insights to make informed investment decisions.

**Improved Efficiency:** Automate anomaly detection and free up valuable resources for strategic analysis and portfolio management.

## EXtrance NEURAL™: Revolutionizing Investment Intelligence

In a world of ever-increasing data complexity, EXtrance Neural provides investment professionals with a powerful tool to unlock the true potential of their data. By leveraging cutting-edge AI and machine learning, you can gain a deeper understanding of your portfolio, identify risks and opportunities with enhanced accuracy, and achieve superior investment outcomes.



Extrance Deep Learning Tool to go behind the numbers presented in the visual dashboards

## **AN EXTRANCE PARTNERED ORGANIZATION IS HIGHLY PRIORITIZED.**

By utilizing more than 40% of our solution, you'll become a preferred investment offering at major financial institutions.

Advisors and wealth management teams love providing their customers funds and investments that offer simple liquidity solutions, the ultimate security, and proper transparency. This gives the fund manager access to EXtrance's product offerings, reducing expenses, increasing profits, and providing a competitive advantage that only AI, ML and blockchain provides.

### **Schedule a demo**

to see how much EXtrance can revolutionize investment management.



**DISCOVER EXTRANCE.**

[info@extrance.org](mailto:info@extrance.org)

**EXtrance**

**REVOLUTIONIZING  
INVENSTMENT MANAGEMENT.**

[EXtrance.io](https://EXtrance.io)